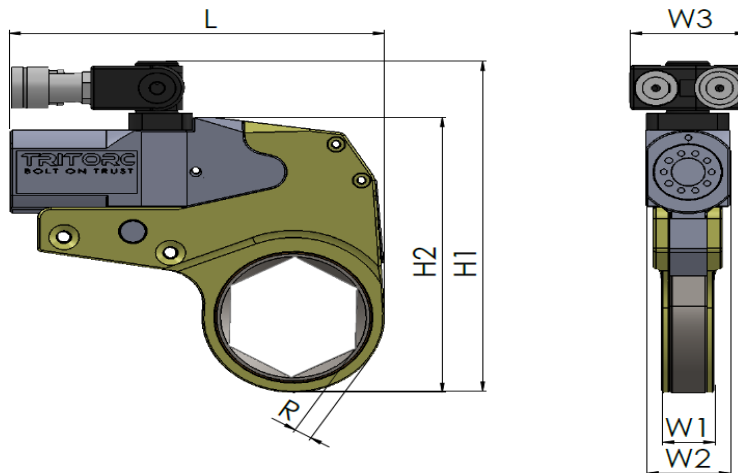


Ratchet Type - THL Series Ultra Slim Series

| TECHNICAL DATA | Units | THL - 2 | THL - 4 |
|-------------------|-------|-------------|----------------|
| Min. Torque | Nm | 260 | 590 |
| Max. Torque | Nm | 2614 | 5925 |
| Min. Torque | Lbs. | 192 | 435 |
| Max. Torque | Lbs. | 1927 | 4370 |
| Across Flat | mm | 19 - 60 | 34 - 80 |
| | Inch | 3/4 - 2.3/8 | 1-5/16 - 3-1/8 |
| Weight | Kg. | 1 | 2 |
| Drive Unit Weight | Lbs. | 2.2 | 4.4 |
| | Kg. | 1.7 | 4.6 |



| DIMENSIONAL DETAILS | Units | THL - 2 | THL - 4 |
|------------------------|--------|---------|---------|
| Overall Length (L) | (mm) | 196 | 221 |
| | (Inch) | 7.7 | 8.7 |
| (H1) | (mm) | 128.5 | 171.3 |
| | (Inch) | 5.05 | 6.74 |
| (H2) | (mm) | 102.3 | 125 |
| | (Inch) | 4.02 | 4.92 |
| Width at Link (W1) | (mm) | 25.4 | 28.5 |
| | (Inch) | 1 | 1.12 |
| Width at Cylinder (W2) | (mm) | 51 | 63.5 |
| | (Inch) | 2 | 2.49 |
| Nose Radius (R) | (mm) | 27 - 46 | 36 - 61 |
| Rmin. | (mm) | 8.9 | 10.9 |