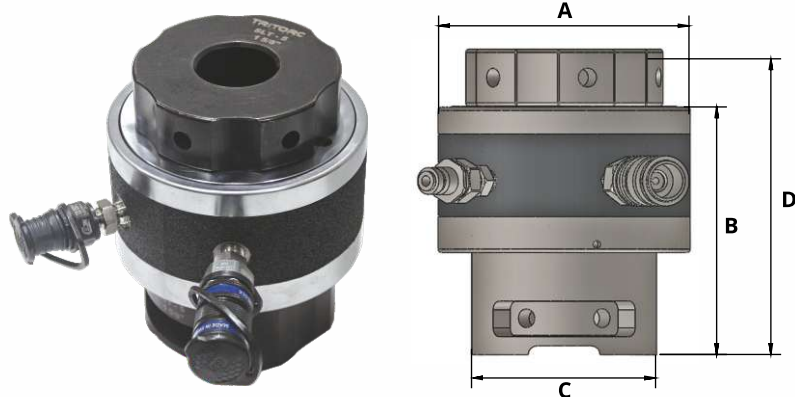


SPRING RETURN HYDRAULIC BOLT TENSIONER SLT SERIES



- Working Pressure 1500Bar / 21755 psi
- Special Seal Kit, Piston/Cylinder mis-alignment compensation
- Piston Stroke of SLT 1=8mm, the other model is 10mm
- Built-in stroke limit valve prevent over stroke
- Fully enclosed load cell to prevent debris into cylinder
- Spring return, fast, safety

Model	Bolt Size		Max. Load kN (Ton)	Hyd. Area cm ² (in ²)	A mm (in)	B mm (in)	C mm (in)	Clearance D mm (in)	Weight kg (lbs)
	Imperial	Metric							
SLT1	3/4" SLT1-1	M20 SLT1-3	160 (16.31)	10.67 (1.65)	66 (2.59)	93 (3.66)	63 (2.48)	136 (5.35)	1.4 (3.08)
	7/8" SLT1-2	M22 SLT1-4							
SLT2	1" SLT2-1	M24 SLT2-3	280 (28.55)	18.67 (2.89)	87 (3.42)	117 (4.60)	68 (2.67)	175 (6.88)	2.7 (5.95)
	1-1/8" SLT2-2	M27 SLT2-4							
SLT3	1" SLT3-1	M24 SLT3-5	450 (45.88)	30.01 (4.65)	103 (4.05)	117 (4.60)	75 (2.95)	175 (6.88)	4.1 (9.03)
		M27 SLT3-6				120 (4.72)	80 (3.14)	181 (7.12)	
	1-1/8" SLT3-2	M30 SLT3-7				123 (4.84)	84 (3.30)	188 (7.40)	
	1-1/4" SLT3-3	M33 SLT3-8				126 (4.96)	89 (3.50)	195 (7.67)	
SLT4	1-1/4" SLT4-1	M33 SLT4-5	660 (67.30)	44.01 (6.82)	118 (4.64)	123 (4.84)	88 (3.46)	190 (7.48)	5.4 (11.9)
	1-3/8" SLT4-2	M36 SLT4-6				126 (4.96)	96 (6.77)	197 (7.75)	
	1-1/2" SLT4-3	M39 SLT4-7				130 (8.11)	96 (3.77)	203 (7.99)	
	1-5/8" SLT4-4	M42 SLT4-8				133 (5.23)	105 (4.13)	209 (8.22)	
SLT5	1-1/2" SLT5-1	M39 SLT5-6	1000 (101.97)	66.68 (10.33)	140.5 (5.53)	132 (5.19)	112 (4.40)	211 (8.30)	8.4 (18.51)
	1-5/8" SLT5-2	M42 SLT5-7				135 (5.31)	114 (4.48)	217 (8.54)	
	1-3/4" SLT5-3	M45 SLT5-8				139 (5.47)	118 (4.64)	223 (8.77)	
	1-7/8" SLT5-4	M48 SLT5-9				142 (5.59)	114 (4.48)	230 (9.05)	
	2" SLT5-5					145 (5.70)	120 (4.72)	236 (9.29)	
SLT6	2" SLT6-1	M52 SLT6-5	1500 (152.95)	100.03 (15.50)	175.5 (6.90)	148 (5.82)	120 (4.72)	246 (6.68)	13.8 (30.42)
	2-1/4" SLT6-1	M56 SLT6-6				154 (6.06)	138 (5.43)	259 (10.19)	
		M60 SLT6-7				161 (6.33)	138 (5.43)	259 (10.19)	
	2-1/2" SLT6-3	M64 SLT6-8				161 (6.33)	153 (6.02)	272 (10.70)	
	2-3/4" SLT6-4	M68 SLT6-9				167 (6.57)	156 (6.14)	284 (11.18)	
SLT7	2-3/4" SLT7-1	M72 SLT7-5	2500 (254.92)	166.71 (25.84)	219 (8.62)	167 (6.57)	157 (6.18)	294 (11.57)	23 (50.70)
	3" SLT7-2	M76 SLT7-6				171 (6.73)	158 (6.22)	307 (12.08)	
		M80 SLT7-7				180 (7.08)	190 (7.48)	310 (12.20)	
	3-1/4" SLT7-3	M85 SLT7-8				180 (7.08)	190 (7.48)	320 (12.59)	
	3-1/2" SLT7-4	M90 SLT7-9				186 (7.32)	205 (8.07)	332 (13.07)	
SLT8	3-1/2" SLT8-1	M90 SLT8-4	3200 (326.30)	213.39 (33.07)	252 (9.92)	186 (7.32)	200 (7.87)	339 (13.34)	32 (70.54)
		M95 SLT8-5				186 (7.32)	200 (7.87)	346 (13.62)	
	3-3/4" SLT8-2	M100 SLT8-6				192 (7.55)	200 (7.87)	352 (13.85)	
	4" SLT8-3					199 (7.83)	210 (8.26)	364 (14.33)	

Note: Dimensions are subject to change